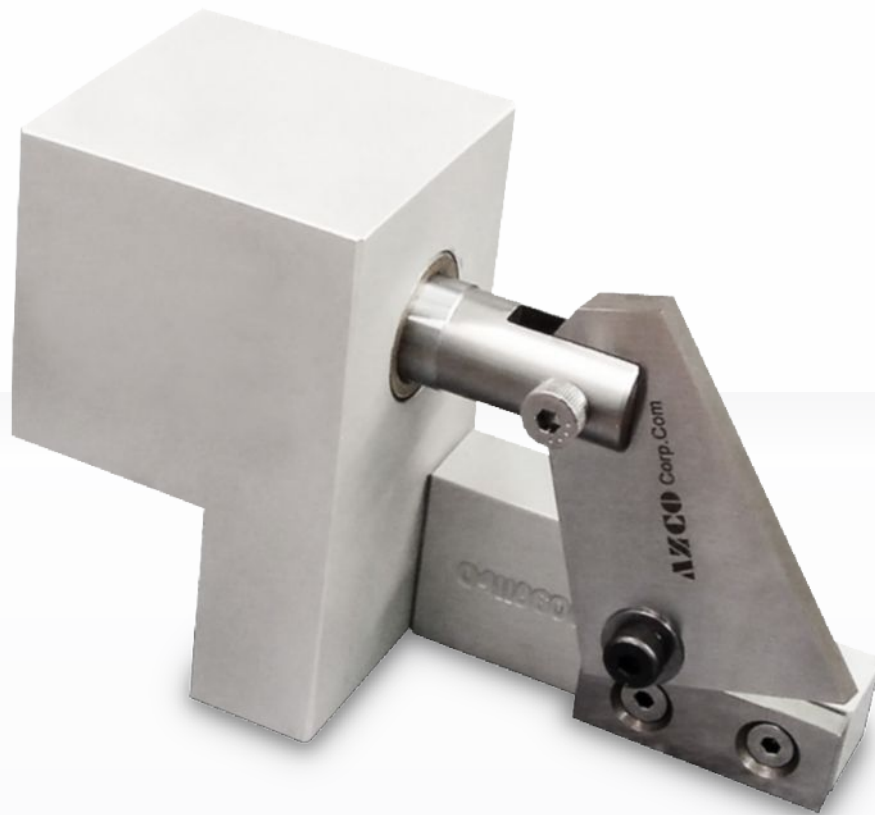


SUR-CUT™ GUILLOTINE KNIFE ASSEMBLY

GO-25



SUR-CUT™ GUILLOTINE KNIFE ASSEMBLY

GO-25 TECHNICAL SPECIFICATION

Solid Models & Videos Available Online

AZCO offers a pivoting guillotine knife assembly designed to cut thicker materials. The pneumatic actuated unit is compact in size and ideal for cutting rigid or thicker materials up to a cut width of 25mm/1”.

MAXIMUM CABLE/ROD DIAMETER

MATERIAL	UNIT	
	Plastic	mm
in		0.167
Aluminum	mm	3.2
	in	0.125
Copper	mm	3.2
	in	0.125
Steel	mm	1.5
	in	0.063

BENEFITS

- Proven off-the-shelf design
- Simple to install and hook-up
- Thru hardened D2 blades for long life
- Multiple units can be mounted on assembly for making multiple cuts at one time
- Reduces hand cutting

MATERIALS:

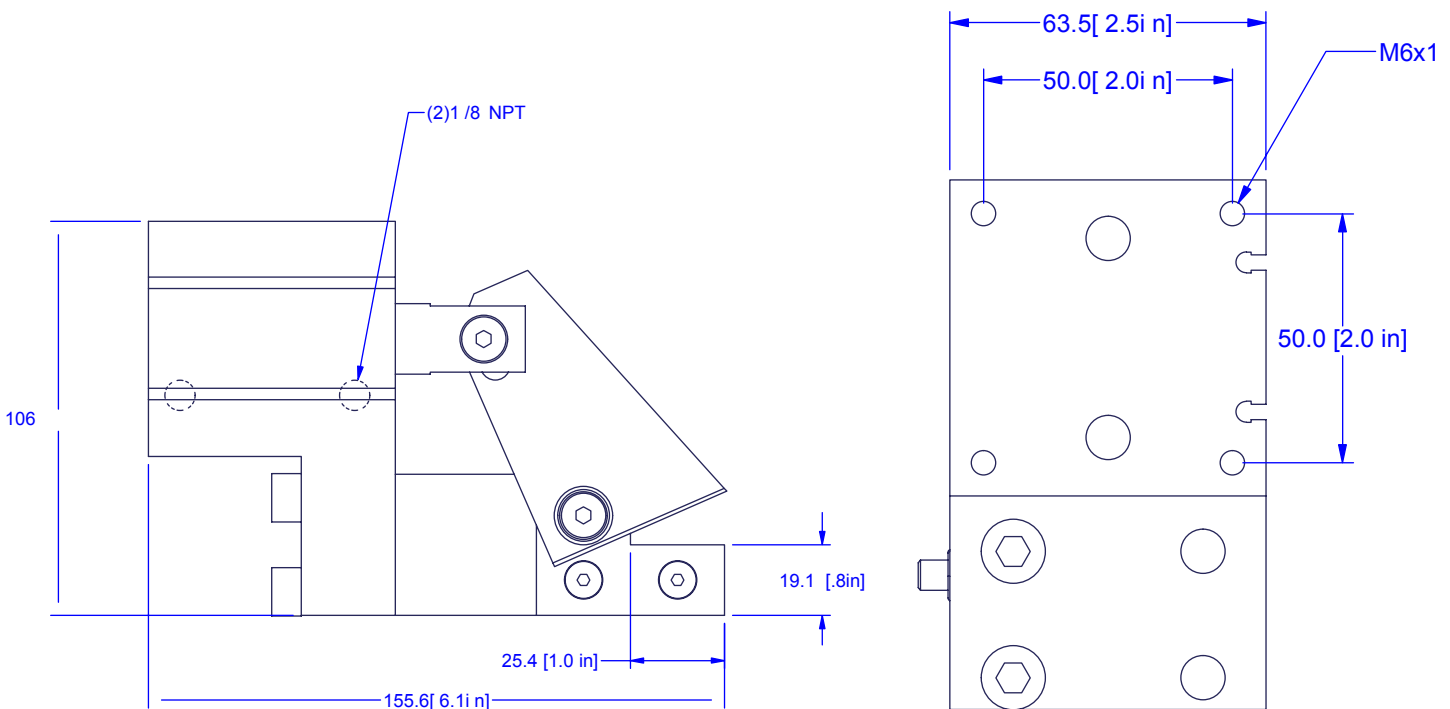
- Cables
- Rods
- Heavier Gauge Materials

SPECIFICATIONS

- Cut rates up to 100 cuts a minute which is a function of the air supply
- 30 - 90 psi (2 – 6 bar) compressed air
- Tapped mounting holes for easy installation

OPTIONS

- Blade position sensors for automation for automated applications
- Custom blade geometry and different size units are possible
- Hook-up kit (solenoid, fitting, tubing)
- Custom applications per request



WARNING:

EQUIPMENT MUST BE GUARDED IN ACCORDANCE WITH ALL FEDERAL, STATE, AND LOCAL REQUIREMENTS



visit us online!



FOR ALL YOUR FEEDING AND CUTTING NEEDS

26 Just Road, Fairfield, NJ, 07004 | 973-439-1428 | azcocorp.com