

SMARTKNIFE™

SKC SERIES



SMARTKNIFE™

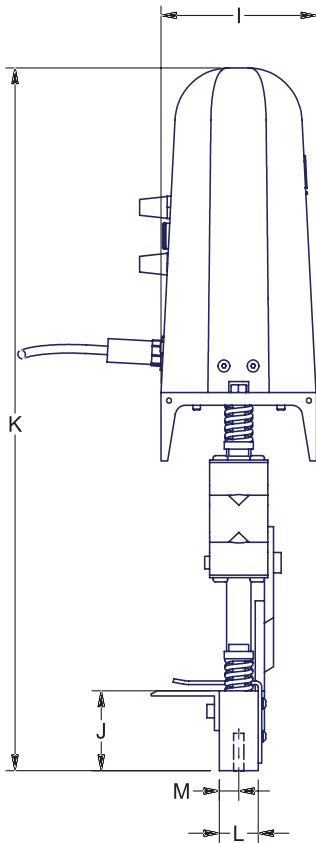
SKC SERIES TECHNICAL SPECIFICATION

Solid Models & Videos Available Online

An Easy to Integrate Self-contained Cutting Package

AZCO's SmartKnife™ bridges the gap between the traditional guillotine knife and rotary knife. Equipped with a microprocessor and complete control package, it achieves the high speed of a rotary knife at a fraction of the cost. Its compact size offers great placement flexibility and can produce up to 400 cuts per minute.

Just Bolt-It-On!



BENEFITS

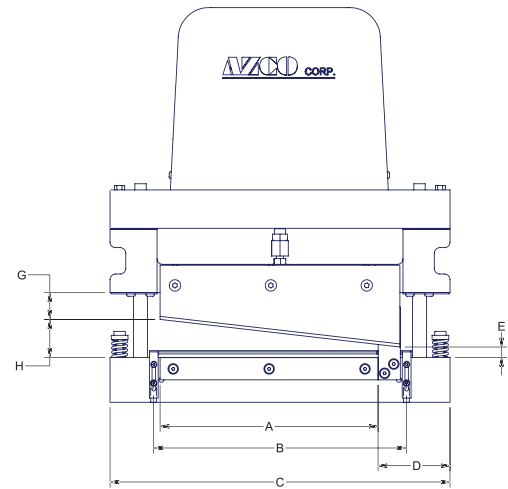
- Easy installation
- Quiet operation
- Includes mounting holes
- High cycle rate
- Clean cuts
- Long blade life
- Low maintenance

SPECIFICATIONS

- Pneumatically operated
- Self-contained package includes:
 1. Cylinder
 2. Manifold
 3. Solenoid
- Microprocessor monitors system
- Advanced Dura-Blade design
- Upgraded hardware for long life
- Power requirements: 24 V DC
- 90 psi (6 bar) compressed air

OPTIONS

- Hook-up kit



MODEL	UNIT	A	B	C	D	E	F	G	H	I	J	K	L	M
SKC-250	mm	250	290	390	83	14	35	31	45	102	51	443	25	13
	in	9.8	11.4	15.4	3.3	0.6	1.4	1.2	1.8	4	2	17.4	1	0.5
SKC-400	mm	400	440	540	83	24	50	28	46	102	51	447	25	13
	in	15.8	17.3	21.3	3.3	0.9	2	1.1	1.8	4	2	17.6	1	0.5
SKC-630	mm	630	670	770	83	18	50	30	50	102	51	447	25	13
	in	24.8	26.4	30.3	3.3	0.7	2	1.2	2	4	2	17.6	1	0.5
SKC-1000	mm	1000	1060	1210	124	26	75	25	81	104	102	589	38	19
	in	39.4	42.7	47.6	4.9	1	3	1	3.2	4.1	4	23.2	1.5	0.8



WARNING:

EQUIPMENT MUST BE GUARDED IN ACCORDANCE WITH ALL FEDERAL, STATE, AND LOCAL REQUIREMENTS



visit us online!



FOR ALL YOUR FEEDING AND CUTTING NEEDS

26 Just Road, Fairfield, NJ, 07004 | 973-439-1428 | azcocorp.com